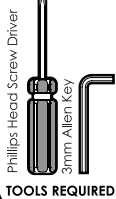


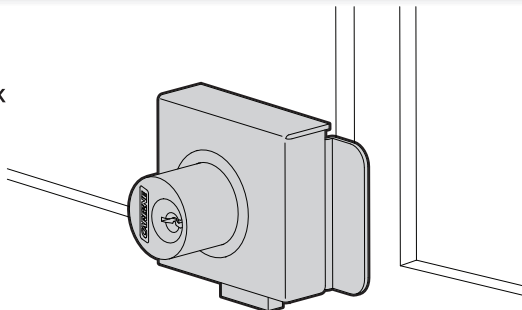
GLASS CABINET DISPLAY ASSEMBLY INSTRUCTIONS



TOOLS REQUIRED

SUITABLE FOR

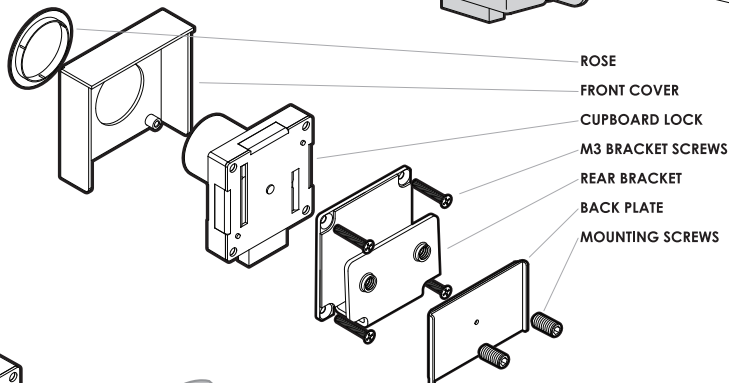
- SINGLE & DOUBLE DOOR GLASS CABINETS
- UTILISES A CARBINE CCL CUPBOARD LOCK
- 530 CYLINDER
- 4mm-8mm GLASS THICKNESS



1. ASSEMBLY

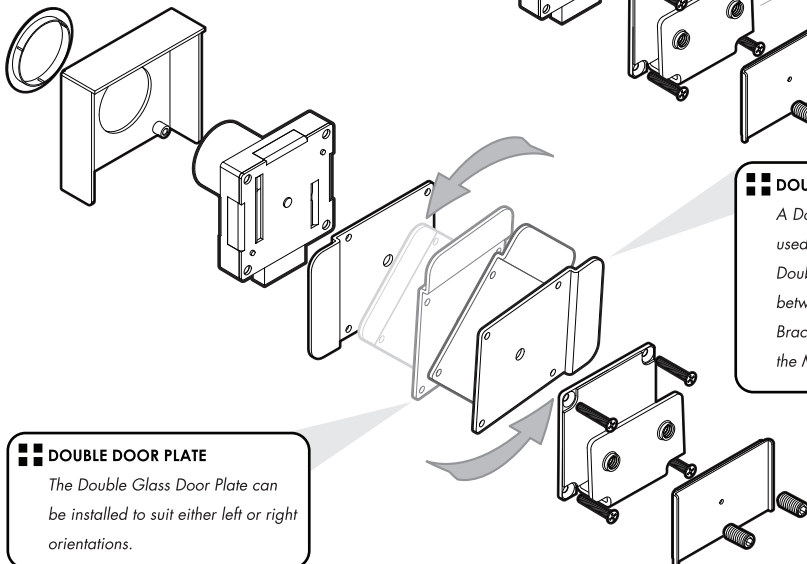
Determine the orientation required & then slide the Front Cover over the Cupboard Lock. Place the Rear Bracket over the Cupboard Lock and insert the M3 screws thru the Rear Bracket & Cupboard Lock, screwing into the Front Cover.

STANDARD ASSEMBLY



- ROSE
- FRONT COVER
- CUPBOARD LOCK
- M3 BRACKET SCREWS
- REAR BRACKET
- BACK PLATE
- MOUNTING SCREWS

DOUBLE GLASS DOOR ASSEMBLY



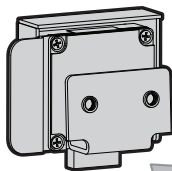
DOUBLE DOOR PLATE
A Double Glass Door Plate can be used to secure two doors. The Double Glass Door Plate is inserted between the Cupboard Lock & Rear Bracket & secured into place with the M3 screws.

DOUBLE DOOR PLATE

The Double Glass Door Plate can be installed to suit either left or right orientations.

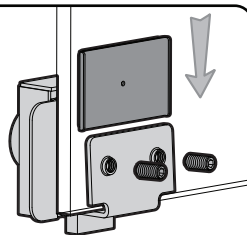
2. INSTALLATION

Slide the assembled Cupboard Lock over the glass door.



3. FIXING

Once the Cupboard Lock is in its desired location, slide the Backing Plate into place and tighten the Mounting Screws with an allen key. Ensure the lock is firmly secured onto the glass door.



WARNING

Please keep contents away from small children, may lead to suffocation.

