

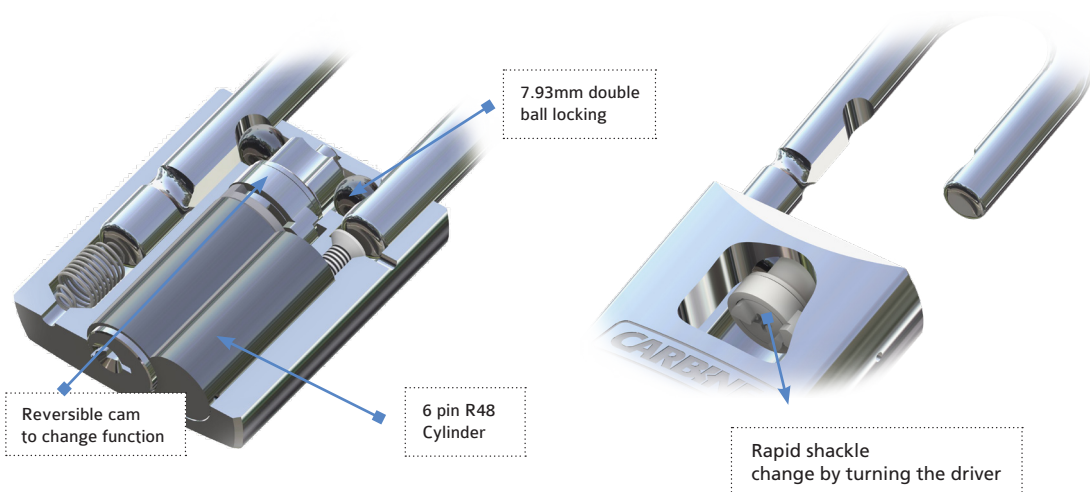
CARBINE  
**C50**  
**SERIES**



RESIDENTIAL / MEDIUM COMMERCIAL GRADE SECURITY

**C50 SPECS**

- + Double ball locking
- + 9.5mm rapid change shackle
- + Extended shackle models
- + Standard function of snap shut
- + Can be converted to key retained
- + Brass, steel & protected steel models
- + 50mm heavy duty padlock bodies
- + 6 pin R48 cylinder LKW5 (C4)



Brass

Steel

Steel shackle protected



**Security** + + + + + ●  
**Endurance** + + + + + ●  
**Weather Resistance** + + + + + ●

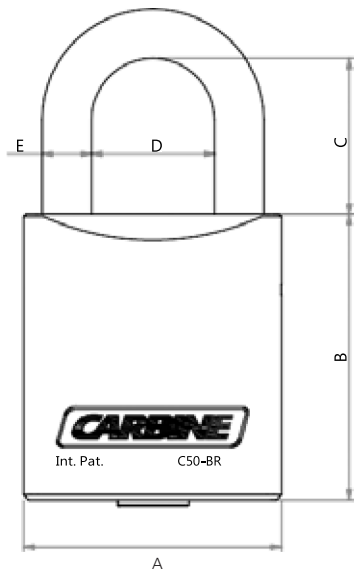


**Security** + + + + + ●  
**Endurance** + + + + + ●  
**Weather Resistance** + + + + + ●



**Security** + + + + + ●  
**Endurance** + + + + + ●  
**Weather Resistance** + + + + + ●





### C50 BRASS PADLOCKS

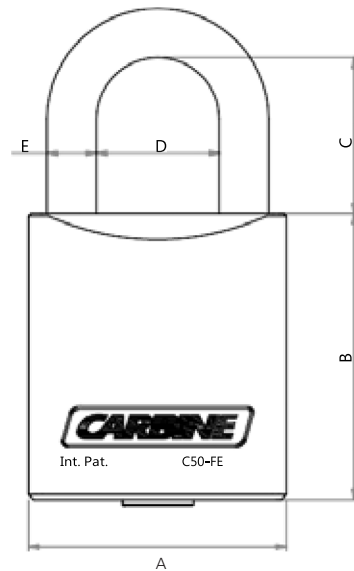
Brass body with brushed brass finish

- + 9.5mm molybdenum alloy shackle
- + Shackle hardened to 60HRC
- + Shackles duplex nickel & chrome plated
- + Non anti drill cylinder

Product Code	Keying	Packaging	A	B	C	D	E
C50-BR	KD	Indiv box	50	55	30	23.8	9.5
C50-BR-B	KD	Bulk 12	50	55	30	23.8	9.5
C50-BR-DP	KD	DP	50	55	30	23.8	9.5
C50-BR-SS-DP	KD	DP	50	55	30	23.8	9.5
C50-BR-KA1	KA1	Indiv box	50	55	30	23.8	9.5
C50-BR-KA2	KA2	Indiv box	50	55	30	23.8	9.5
C50-BR-NB	NB	Indiv box	50	55	30	23.8	9.5
C50-BR-NB-B	NB	Bulk 12	50	55	30	23.8	9.5
C50-BR-NS-NC-B	NC	Bulk 12	50	55	-	23.8	9.5

#### Note: Assembly codes

- NB denotes no barrel
- NC denotes no cylinder
- NS-NB denotes no shackle & no barrel
- NS-NC denotes no shackle & no cylinder

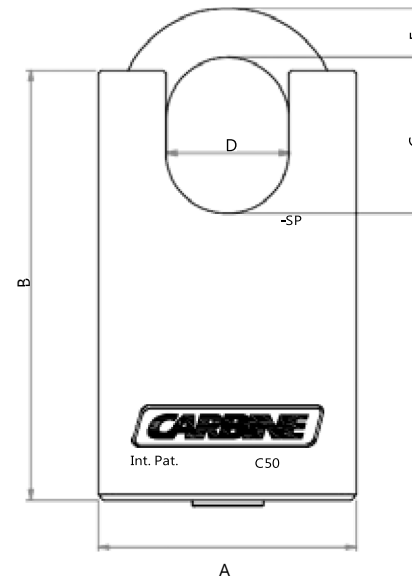


### C50 STEEL PADLOCKS

Hardened steel body with brushed chrome finish

- + 9.5mm molybdenum alloy shackle
- + Shackle hardened to 60HRC
- + Shackles duplex nickel & chrome plated
- + Anti drill cylinder

Product Code	Keying	Packaging	A	B	C	D	E
C50-FE	KD	Indiv box	50	55	30	23.8	9.5
C50-FE-DP	KD	DP	50	55	30	23.8	9.5
C50-FE-NC	NC	Indiv box	50	55	30	23.8	9.5



### C50 STEEL SHACKLE PROTECTED PADLOCKS

Hardened steel body with brushed chrome finish

- + 9.5mm molybdenum alloy shackle
- + Shackle hardened to 60HRC
- + Shackles duplex nickel & chrome plated
- + Anti drill cylinder

Product Code	Keying	Packaging	A	B	C	D	E
C50-SP	KD	Indiv box	50	82.5	30	23.8	9.5
C50-SP-DP	KD	DP	50	82.5	30	23.8	9.5
C50-SP-NC	NC	Indiv box	50	82.5	30	23.8	9.5

Additional Components available:  
Shackle chain collar – OD 15mm, ID 9.6MM

#### Spare shackles

Product Code	Keying	Packaging	A	B	C	D	E
C50-SA1	-	Poly bag	-	-	30	23.8	9.5
C50-SA2	-	Poly bag	-	-	50	23.8	9.5
C50-SA3	-	Poly bag	-	-	75	23.8	9.5
C50-SA4	-	Poly bag	-	-	100	23.8	9.5
C50-SS1	-	Poly bag	-	-	30	23.8	9.5
C50-SS2	-	Poly bag	-	-	50	23.8	9.5
C50-SS3	-	Poly bag	-	-	75	23.8	9.5